

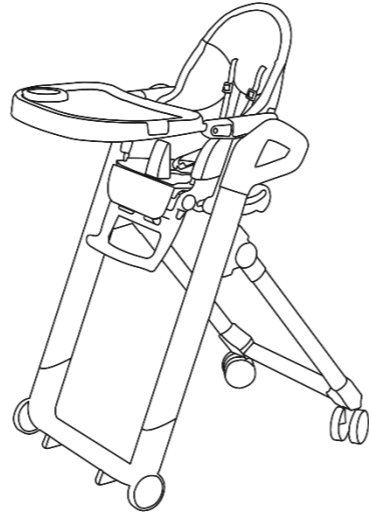
blij'r

blij'r

Operating Instructions for Multifunctional High Chairs

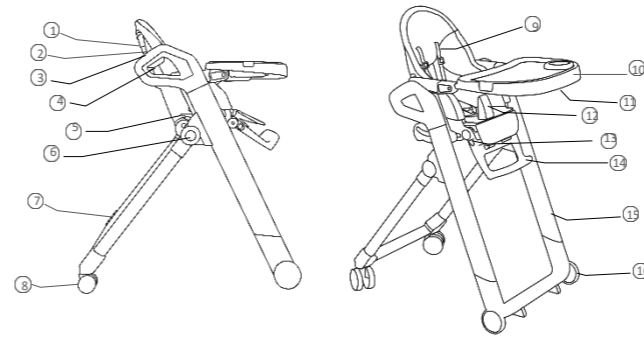
Weight limit: ≤20kg
Applicable age group: 6-36 months
Implementation standard: EN-14988:2017

Model: **Tonie**



Ningbo Yibei children products Co., Ltd
生产者: 宁波亿贝儿童用品有限公司
No.41, Industrial Road, Zhongyi Town, Cixi City, Zhejiang Pro
浙江省宁波市慈溪市钟义镇工业路41号
TEL:0574-63750618

Description of Components



- | | |
|--------------------------------------|--------------------------------------|
| 1. Seat back angle adjustment button | 9. Five-point safety belt |
| 2. Seat belt fixing hole position | 10. Dinner plate |
| 3. Cloth cover fixing hook | 11. Dinner plate down turning button |
| 4. Highchair moving button | 12. Anti-skid column |
| 5. Seat height adjustment button | 13. Footrest angle adjustment button |
| 6. Frame folding button | 14. Footrest |
| 7. Plate hook | 15. Foot tube |
| 8. Rear wheel | 16. Front wheel |

01

Warning

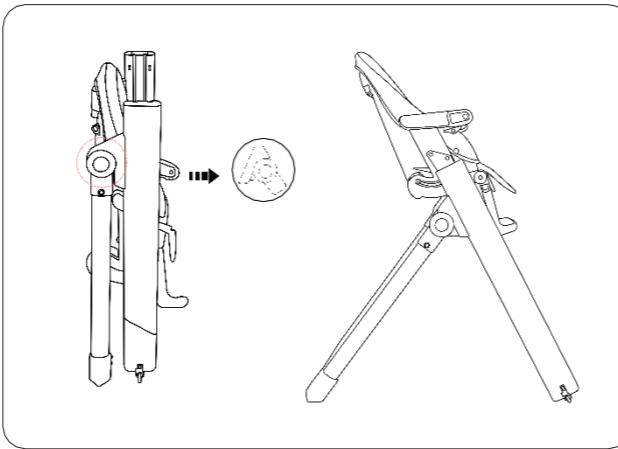
WARNING Never leave the child unattended.
WARNING IMPORTANT! READ CAREFULLY AND KEEP FOR FUTURE REFERENCE
WARNING
— Never leave the child unattended.
— Always use the restraint system.
— Falling hazard: Prevent your child from climbing on the product.
— Do not use the product unless all components are correctly fitted and adjusted.
— Be aware of the risk of open fire and other sources of strong heat in the vicinity of the product.
— Be aware of the risk of tilting when your child can push its feet against a table or any other structure.

Maintenance and Repair

- Before using, please carry out safety inspection to verify whether the screws or other small parts in the high chair are loose or fall off, whether the chair is flexible and the adjustment is effective. Repair it in time in case any exceptions are found.
- Seat cushion cleaning: The seat cushion should be cleaned frequently so as to prevent contamination of seat cushion, which may affect children's health.
- Cleaning the high chair rack: Clean the high chair with soft cloth in time after it is dirty during use to avoid affecting children's health. Never use volatile solvents.
- Cloth cover cleaning: Remove the cloth cover, clean it with mild detergent, and let it dry naturally.

11

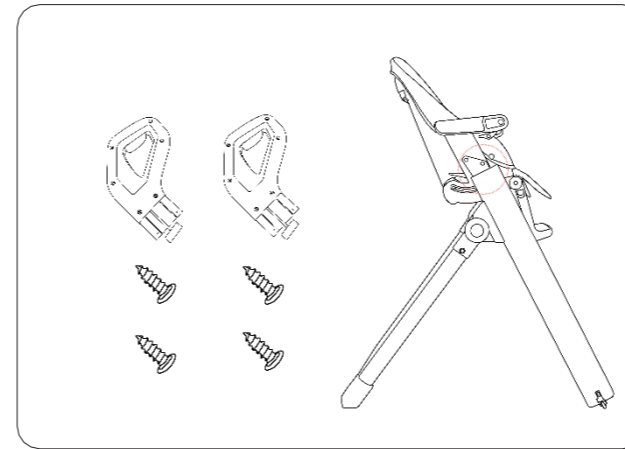
Unfolding and Folding the Highchair



- Take the product out of the packing box (please handle the packing bag properly first) and press the seat height adjustment button to raise the seat upward.
- Press and hold the 2 folding buttons on the rear leg tube, expand the rear leg tube backward to its maximum extent, and release the buttons to confirm whether it is locked.
- The other way round, press and hold the 2 folding buttons on the rear leg tube, and fold the rear leg tube forward until the button is locked.

02

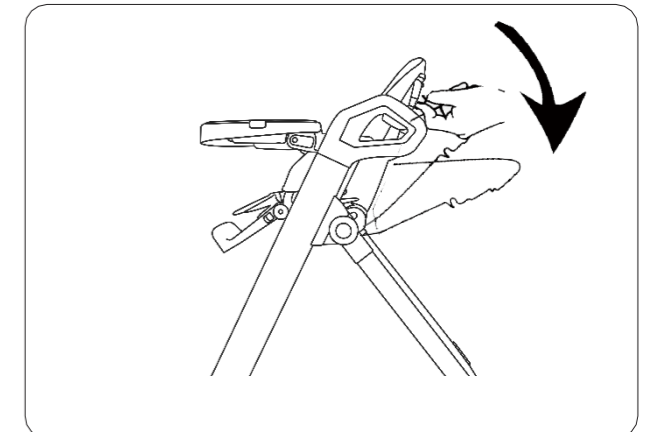
Installing the Highchair Handle



Insert the handle into the aluminum alloy and screw down the screw. (There are two handles and four screws in the packaging bag.)

03

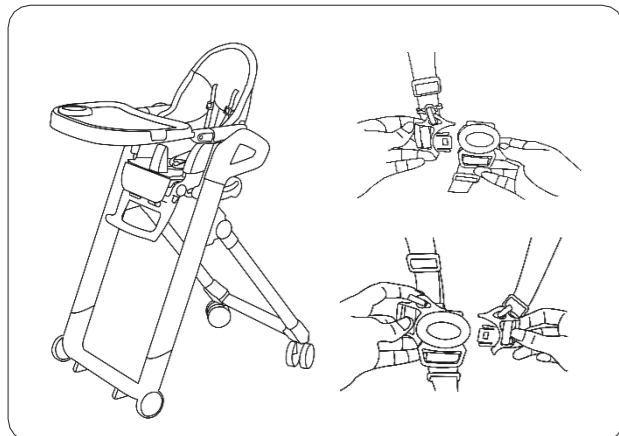
Adjusting the Chair Back Height



1. Hold the chair back adjustment handle on the rear side of chair back, apply forces in the forward and backward direction, and adjust the angle of the chair back as required. The chair back can be adjusted to either of five angles.
(Note: The chair back is only suitable for babies over 6 months old and weighing less than 20kg if its back is set to the upright state. The reclining chair mode is not suitable for sleeping for a long time. This product cannot be used as a substitute for a small bed.)

10

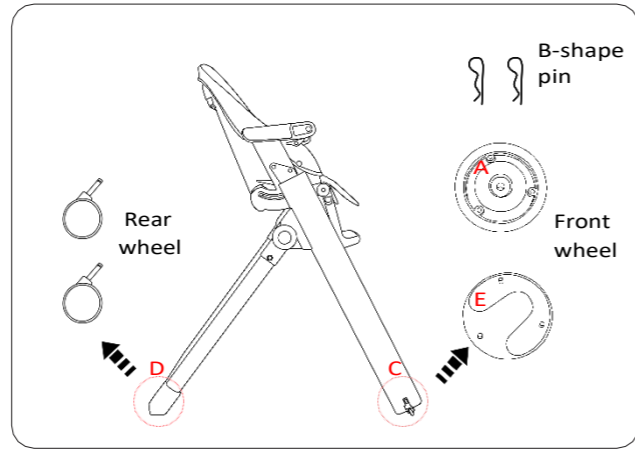
Using the Five-point Seat Belt



- To buckle the seat belt, just buckle the waist buckle (belt buckle with shoulder strap) into the separator until you hear a "ticking" sound. To unbuckle the seat belt, press the middle button and the belt buckles on both sides will pop out automatically.
- The shoulder strap of the seat belt comes with two height options. To adjust the height, remove the shoulder strap from chair back, and pull it out of the chair back and seat cushion. For installation, insert the shoulder strap into the slots on the seat cushion and chair back respectively. (Note: Baby must use seat belts when using the high chair.)

09

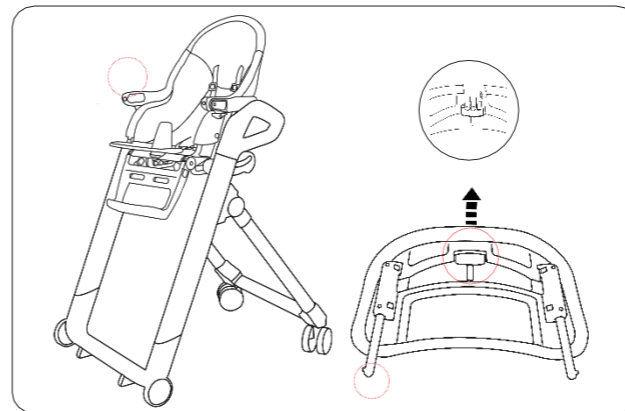
Installing the Highchair Wheels



- There are two rear wheels, two B-shape pins and two AE front wheels in the packaging bag.
- Insert front wheel A into C, fix it using a B-shape pin inserted into the hole, and cover it securely using cover E.
- Insert the rear wheel into the hole in D.

04

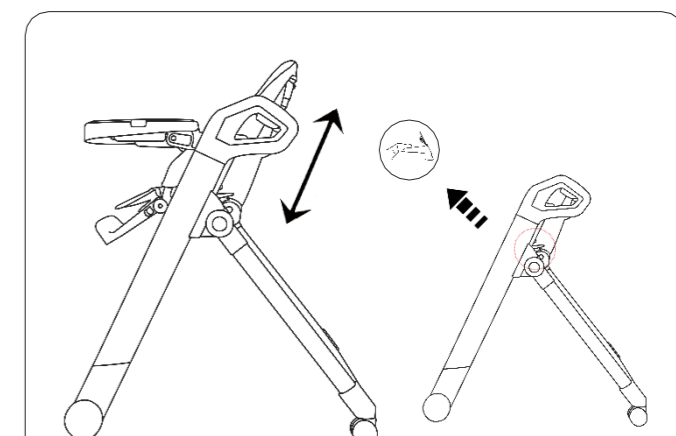
Installing/Adjusting the Dinner Plate



- Pull the disassembly handle at the bottom of the dinner plate outward, and insert the installation pipe fitting on the dinner plate into the hole in the armrest at the same time. After inserting it into the bottom, loosen the handle and pull in the opposite direction to confirm whether the dinner plate is installed in place.
- Pull and keep the disassembly handle at the bottom of the dinner plate outward, then pull the dinner plate outward and remove the dinner plate.
- Pull the disassembly handle at the bottom of the dinner plate outward and pull the dinner plate outward. When you see the red dot, the dinner plate can be upturned.
- Press and hold the dinner plate downturn button to turn the dinner plate down.
- When the high chair is in normal use, remember that the dinner plate cannot be removed to prevent the children's hands from being pinched. When the high chair is not in use, the dinner plate can be removed and hung on the dinner plate buckle on the rear foot tube.

05

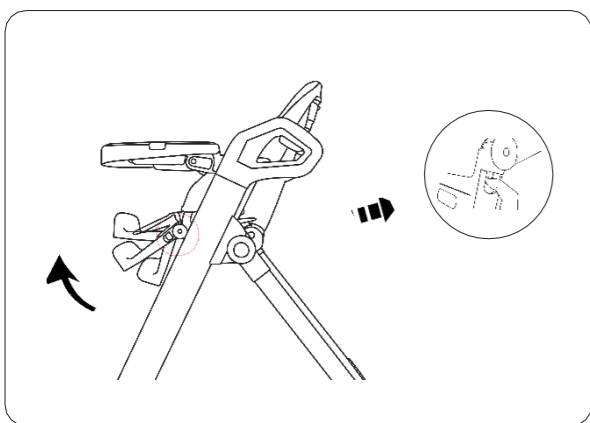
Adjusting the Seat Height



- Press and hold the seat height adjustment button to reduce the seat height.
- The seat can be raised by directly pulling the seat in reverse direction, and the seat can be adjusted to eight height values.

08

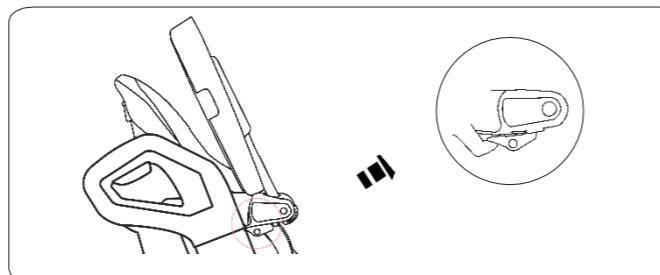
Adjusting the Footrest Height



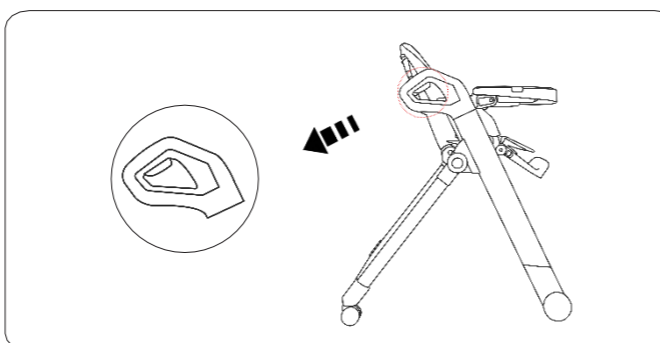
- Press and hold down the footrest adjustment button at the same time, and the footrest can be adjusted to either of 3 angles.
- For upward adjustment, directly push the footrest upward; however, you have to press the buttons to achieve downward adjust.

07

Button Lock Catch and Highchair Moving Button



When the dinner plate is folded, press this key to unfold it. (Note: Do not unfold the dinner plate forcibly.)



Press this key to move the highchair. (Note: To move the highchair, do not pull or move it forward forcibly.)

06